

CARTA KUMPULAN

DOUBLE LELAKI

KUMP A	
A1	UPSI
A2	UMK 3
A3	KK MAS 2
A4	-

KUMP B	
B1	UM 1
B2	UTHM 1
B3	UPM 1
B4	-

KUMP C	
C1	UTHM 3
C2	UTM
C3	UNIKL 2
C4	-

KUMP D	
D1	IUM 1
D2	UITM 2
D3	USM 1
D4	-

KUMP E	
E1	UPM 2
E2	UTHM 2
E3	KK MAS 1
E4	-

KUMP F	
F1	UMK 1
F2	IUM 2
F3	UM 2
F4	-

KUMP G	
G1	UITM 1
G2	UMP
G3	UNISZA
G4	UNIKL 1

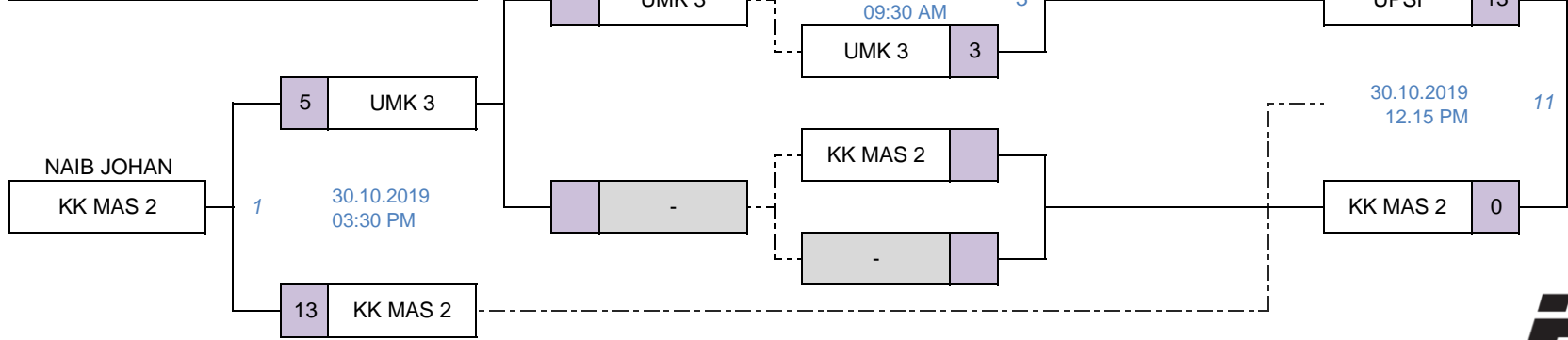
KUMP H	
H1	USM 2
H2	UMK 2
H3	KK MAS 3
H4	UTEM

JADUAL PERTANDINGAN

BIL	TARIKH	MASA	KUMP	KOD	PERLAWANAN ANTARA			NO. GEL	CATATAN
					PASUKAN A	LWN	PASUKAN B		
PUSINGAN SATU									
1	30.10.2019	09:30 AM	KUMP A	DL K1 01	UPSI	LWN	UMK 3	3	
2	30.10.2019	09:30 AM	KUMP B	DL K2 01	UM 1	LWN	UTHM 1	4	
3	30.10.2019	09:30 AM	KUMP C	DL K3 01	UTHM 3	LWN	UTM	5	
4	30.10.2019	09:30 AM	KUMP D	DL K4 01	IUM 1	LWN	UITM 2	6	
5	30.10.2019	09:30 AM	KUMP E	DL K5 01	UPM 2	LWN	UTHM 2	7	
6	30.10.2019	09:30 AM	KUMP F	DL K6 01	UMK 1	LWN	IUM 2	8	
7	30.10.2019	09:30 AM	KUMP G	DL K7 01	UITM 1	LWN	UMP	9	
8	30.10.2019	09:30 AM	KUMP G	DL K7 02	UNISZA	LWN	UNIKL 1	10	
9	30.10.2019	09:30 AM	KUMP H	DL K8 01	USM 2	LWN	UMK 2	11	
10	30.10.2019	09:30 AM	KUMP H	DL K8 02	KK MAS 3	LWN	UTEM	12	
11	30.10.2019	12.15 PM	KUMP A	DL K1 02	UPSI	LWN	KK MAS 2	11	WIN 01 VS WIN 02
12	30.10.2019	12.15 PM	KUMP B	DL K2 02	UM 1	LWN	UPM 1	12	WIN 01 VS WIN 02
13	30.10.2019	12.15 PM	KUMP C	DL K3 02	UTHM 3	LWN	UNIKL 2	13	WIN 01 VS WIN 02
14	30.10.2019	12.15 PM	KUMP D	DL K4 02	UITM 2	LWN	USM 1	14	WIN 01 VS WIN 02
15	30.10.2019	12.15 PM	KUMP E	DL K5 02	UTHM 2	LWN	KK MAS 1	15	WIN 01 VS WIN 02
16	30.10.2019	12.15 PM	KUMP F	DL K6 02	UMK 1	LWN	UM 2	16	WIN 01 VS WIN 02
17	30.10.2019	12.15 PM	KUMP G	DL K7 03	UMP	LWN	UNISZA	17	LOS 01 VS LOS 02
18	30.10.2019	12.15 PM	KUMP G	DL K7 04	UITM 1	LWN	UNIKL 1	18	WIN 01 VS WIN 02
19	30.10.2019	12.15 PM	KUMP H	DL K8 03	USM 2	LWN	KK MAS 3	19	LOS 01 VS LOS 02
20	30.10.2019	12.15 PM	KUMP H	DL K8 04	UMK 2	LWN	UTEM	20	WIN 01 VS WIN 02
21	30.10.2019	03:30 PM	KUMP A	DL K1 03	UMK 3	LWN	KK MAS 2	1	WIN 03 VS LOS 04
22	30.10.2019	03:30 PM	KUMP B	DL K2 03	UTHM 1	LWN	UM 1	2	WIN 03 VS LOS 04
23	30.10.2019	03:30 PM	KUMP C	DL K3 03	UTM	LWN	UTHM 3	5	WIN 03 VS LOS 04
24	30.10.2019	03:30 PM	KUMP D	DL K4 03	IUM 1	LWN	UITM 2	6	WIN 03 VS LOS 04
25	30.10.2019	03:30 PM	KUMP E	DL K5 03	UPM 2	LWN	KK MAS 1	7	WIN 03 VS LOS 04
26	30.10.2019	03:30 PM	KUMP F	DL K6 03	IUM 2	LWN	UM 2	8	WIN 03 VS LOS 04
27	30.10.2019	03:30 PM	KUMP G	DL K7 05	UMP	LWN	UITM 1	9	WIN 03 VS LOS 04
28	30.10.2019	03:30 PM	KUMP H	DL K8 05	KK MAS 3	LWN	UMK 2	10	WIN 03 VS LOS 04

HIGHER EDUCATION SPORTS FEST 2019 - PETANQUE

KUMP A	
A1	UPSI
A2	UMK 3
A3	KK MAS 2
A4	-



K1

DL

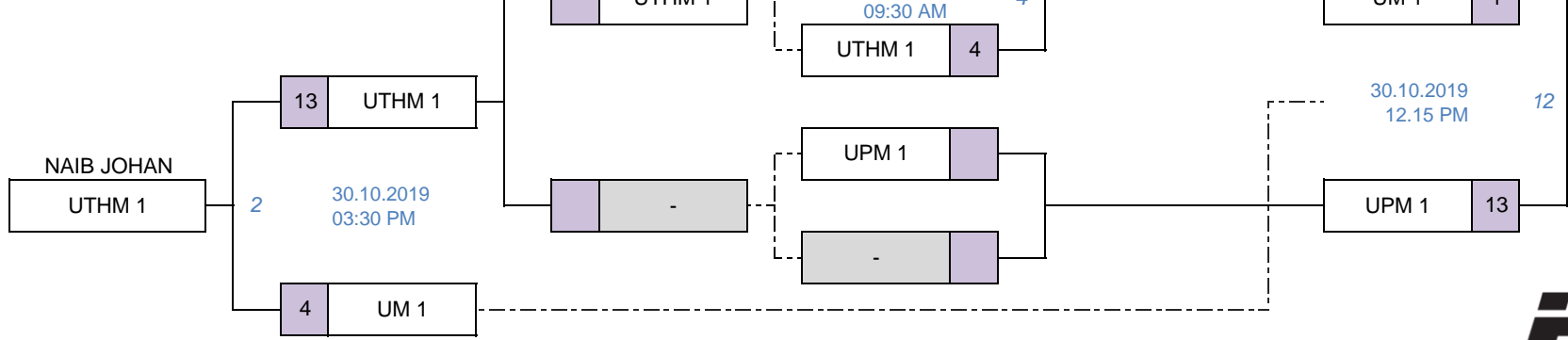
JOHAN

UPSI



HIGHER EDUCATION SPORTS FEST 2019 - PETANQUE

KUMP B	
B1	UM 1
B2	UTHM 1
B3	UPM 1
B4	-



K2

DL

JOHAN

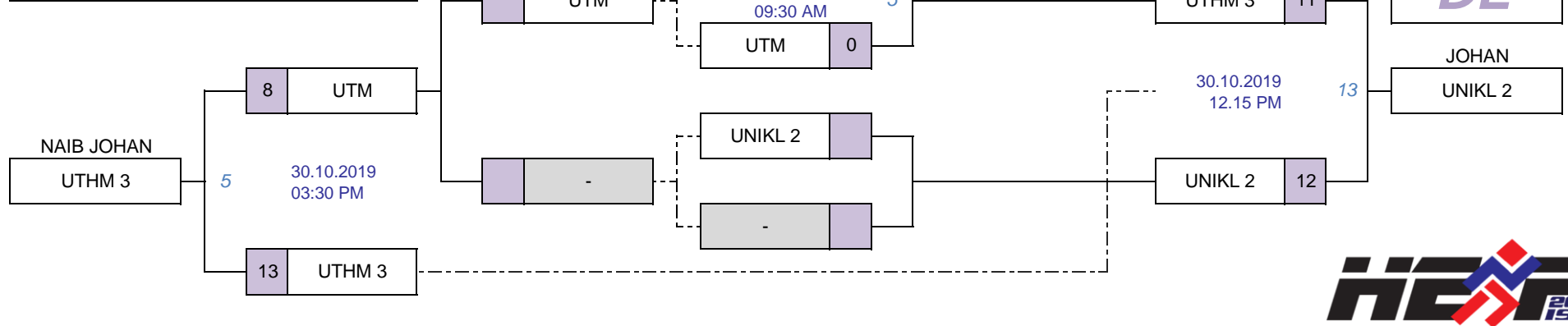
UPM 1



HIGHER EDUCATION SPORTS FEST 2019 - PETANQUE

KUMP C

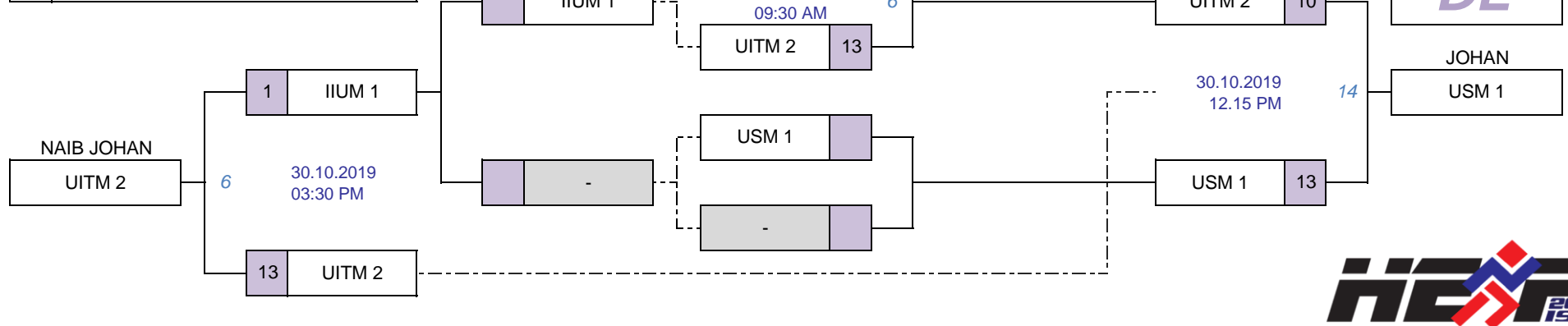
C1	UTHM 3
C2	UTM
C3	UNIKL 2
C4	-



HIGHER EDUCATION SPORTS FEST 2019 - PETANQUE

KUMP D

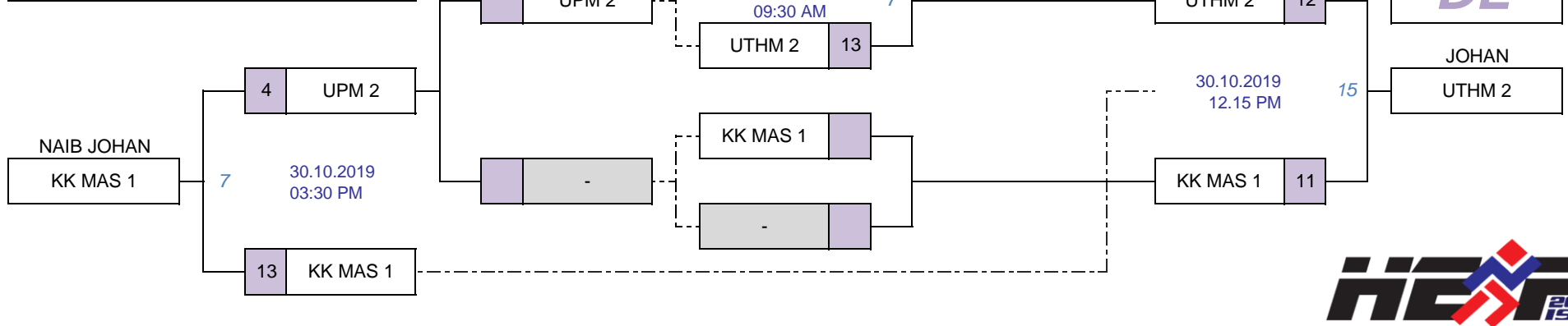
D1	IIUM 1
D2	UITM 2
D3	USM 1
D4	-



HIGHER EDUCATION SPORTS FEST 2019 - PETANQUE

KUMP E

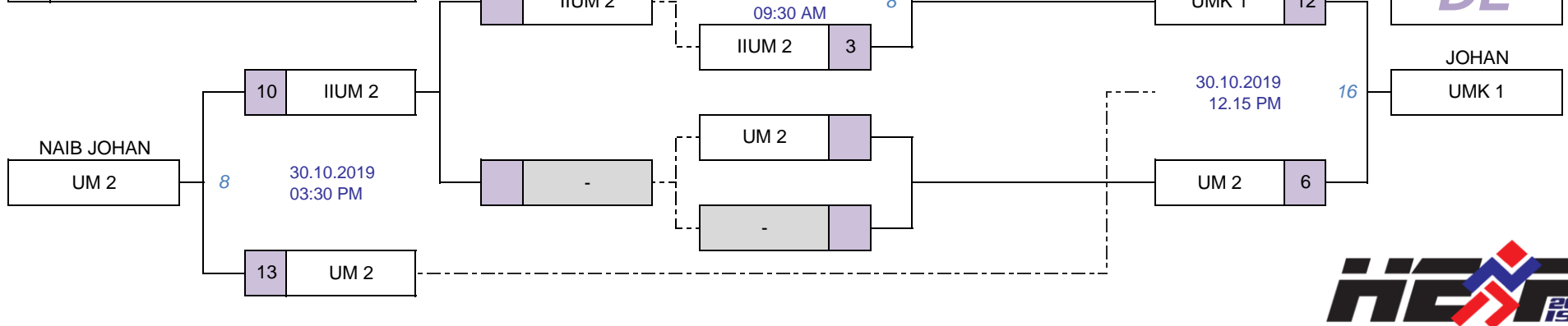
E1	UPM 2
E2	UTHM 2
E3	KK MAS 1
E4	-



HIGHER EDUCATION SPORTS FEST 2019 - PETANQUE

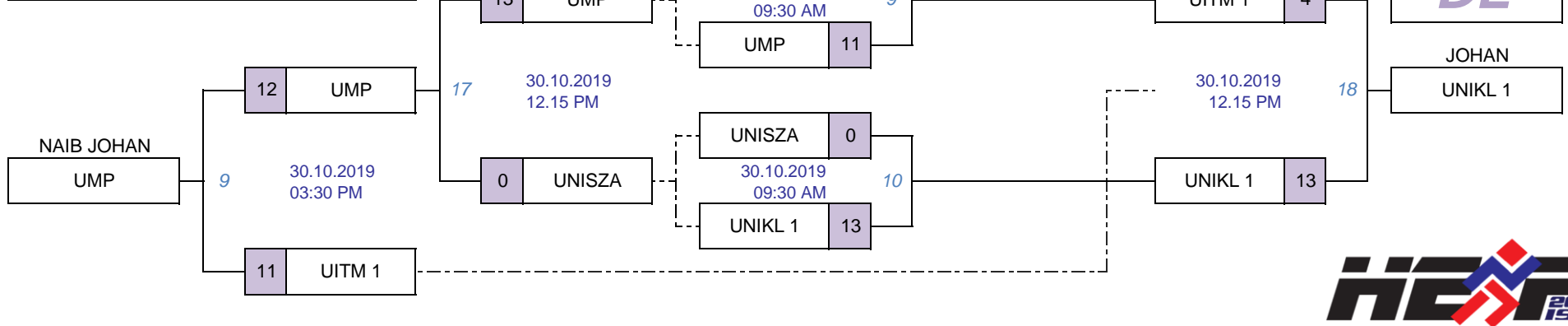
KUMP F

F1	UMK 1
F2	IIUM 2
F3	UM 2
F4	-



HIGHER EDUCATION SPORTS FEST 2019 - PETANQUE

KUMP G	
G1	UITM 1
G2	UMP
G3	UNISZA
G4	UNIKL 1



HIGHER EDUCATION SPORTS FEST 2019 - PETANQUE

KUMP H	
H1	USM 2
H2	UMK 2
H3	KK MAS 3
H4	UTEM

